



Special Technical Services, Inc.

ESDM G8 Portable Electrostatic Discharge Monitor



Now you can economically protect personnel, equipment, material and plant operations from catastrophic damage when transferring hazardous liquids. Even if your facility has a grounding rod or other grounding system, it is entirely possible that you do not have continuously safe grounding equipment. Don't take that chance.

The STS ESDM G8 Discharge Monitor...

Easily and quickly establishes and verifies continuous grounding for safe loading and unloading of hazardous liquids.

The monitor dissipates static charges as they are generated, preventing static build up and potentially catastrophic fire and explosions.

It eliminates guessing. The monitor clearly indicates proper continuity for loading and unloading operations involving drums, tankers, railcars and barges.

The monitor is ideal for temporary transfer stations, when no line voltage is available, or when permanent grounding installations are not possible.

ABOVE RIGHT: This is an image of the face panel of the hand-held STS ESDM G8 Portable Electrostatic Discharge Monitor on the left.

Benefits

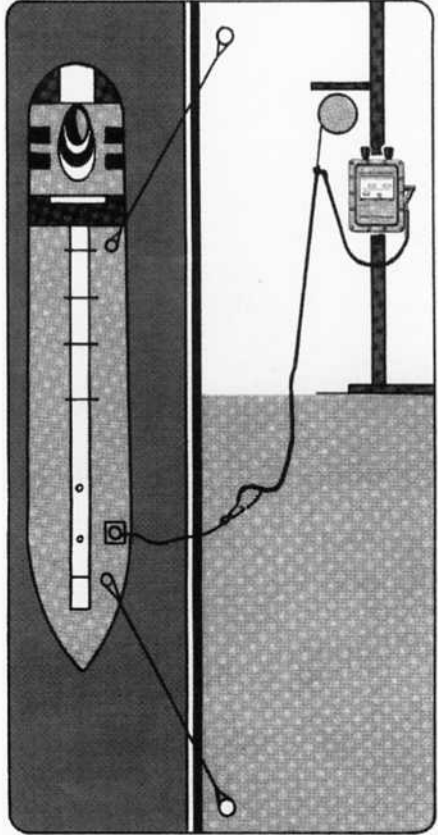
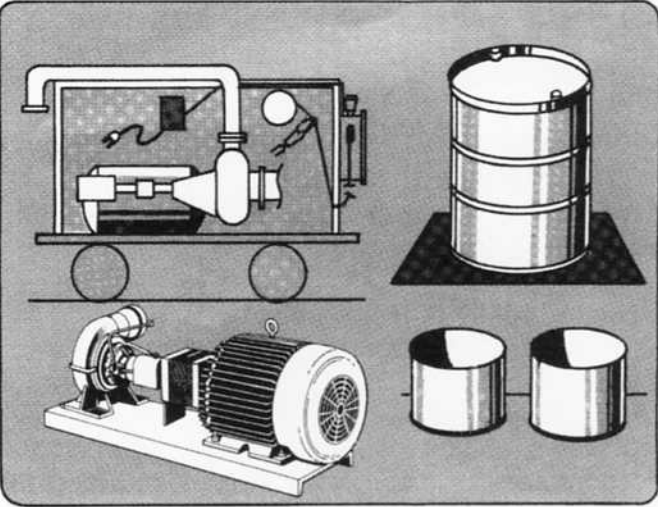
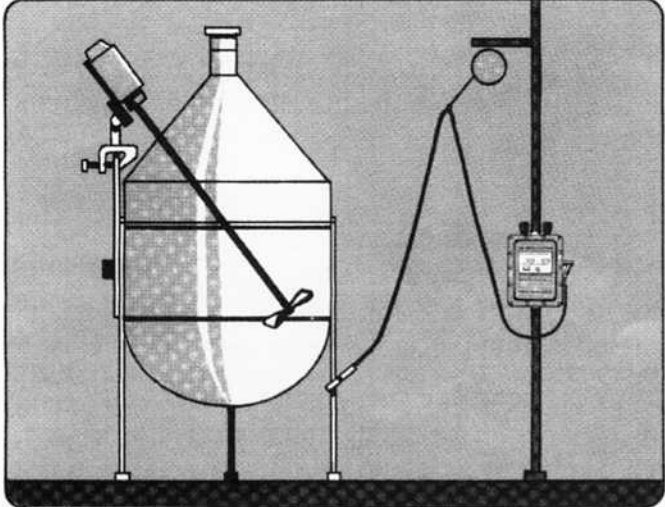
- Easy to read. Face panel shows at a glance whether it's safe to transfer hazardous liquids.
- Simple operation. No programming and no keys or buttons to push. Not even an on-off switch.
- Reliable, long life. Durable construction includes heavy-duty case, oil and gas resistant coiled cables and rugged clamps.
- Proudly made and serviced in the United States of America.

Model: STS ESDM G8

Technical Data

- Three LED indicators: A red LED indicates no connection. One green LED indicates charging and one green LED indicates when

- ground is connected
- Two coiled cords extending up to 18 feet with isolated grounding clamps
- Included is a 120 volt AC charger



The **ESDM G8 Portable Electrostatic Discharge Monitor** can be used for all the applications shown on this page. STS 300 G2 - 251G Electronic Indicating Ground, including 25' cable with clamp or plug of customer's choice, for 120 volt plant power, and to ground static electricity stored in components of mobile vehicles during product transfer.

STS 300 G4 - 251G Electronic Indicating Ground, including 25' cable with clamp or plug of customer's choice, for 240 volt plant power, and to ground static electricity stored in components of mobile vehicles during product transfer.

STS 300 G2D - 251G Electronic Indicating Ground, including 25' cable with clamp or plug of customer's choice, for 120 volt plant power, and to ground static electricity stored in components of machinery, in receiving containers (drums, cans, vats) during transfer operations.

STS 300 G4D - 251G Electronic Indicating Ground, including 25' cable with clamp or plug of customer's choice, for 240 volt plant power, and to ground static electricity stored in components of machinery, in receiving containers (drums, cans, vats) during transfer operations.

STS 300 G2-25 VDC (12) Electronic Ground Indicator, with built-in alarm buzzer to signal non-ground, with attachment cable for 12 volt battery power supply, with cable and clamp of customer's choice for attaching to grounding rod to which a mobile vehicle (tank car, transfer cart, etc.) is grounded.

