

GW7

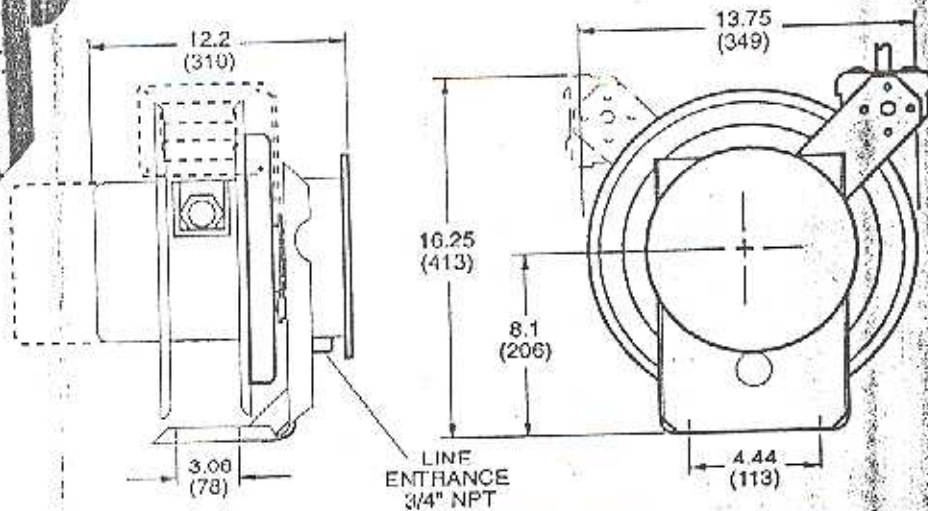
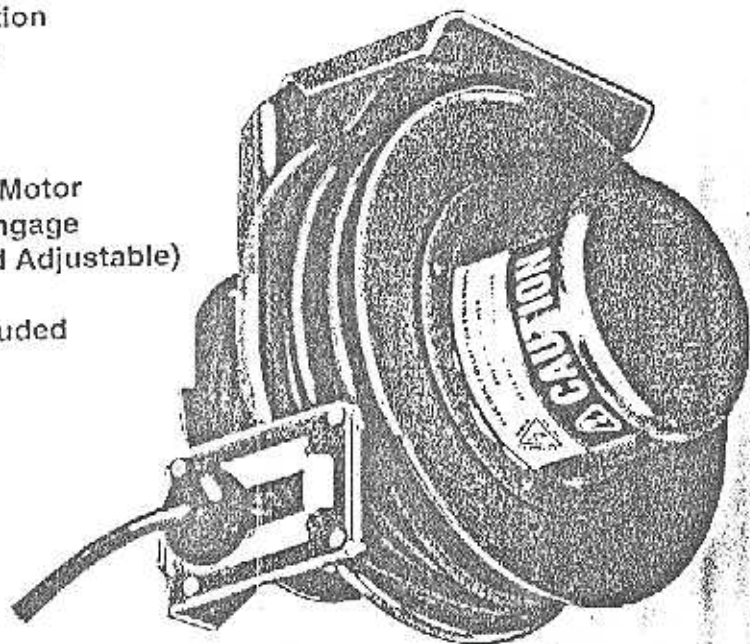
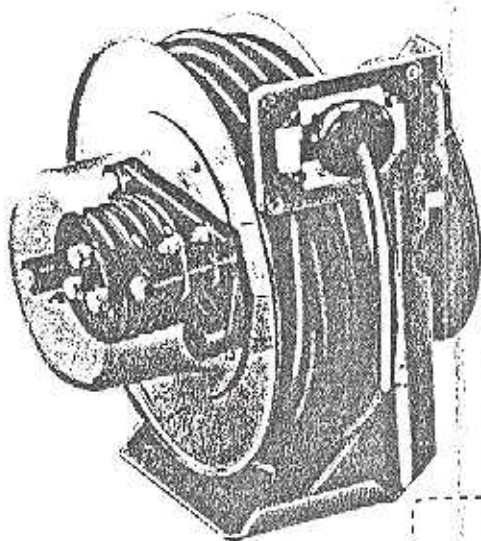
ELECTRIC CABLE REELS

FEATURES

- Fully Automatic; Machine Mountable
- All-Welded Solid Steel Construction
- Slip Rings in NEMA 4 Enclosure
- Generously Sized Junction Box
- Heavy Duty Mounting Base
- Safetychange® Spring Motor
- Weatherproof Gasket on Spring Motor
- Positive Ratchet Lock with Disengage
- Multi-position Cable Guide (Field Adjustable)
- Polyester Baked-On Finish
- Field Adjustable Cable Stop Included



All models
are UL and
CSA listed.



Special Technical Services, Inc.

88 South Main Street Allentown, NJ 08501

(609) 259-2626, 2667 / Fax (609) 259-0044



stsinc88@aol.com