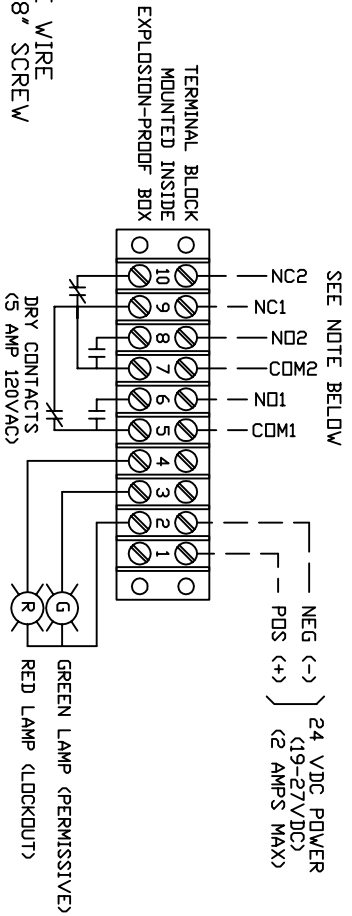


**Special Technical Services Inc.**  
 88 South Main Street  
 Allentown, New Jersey 08501  
 Phone (609) 259-2626

Email: ststnc88@aol.com  
 www.specialtechnicalservices.com  
 Fax (609) 259-0044

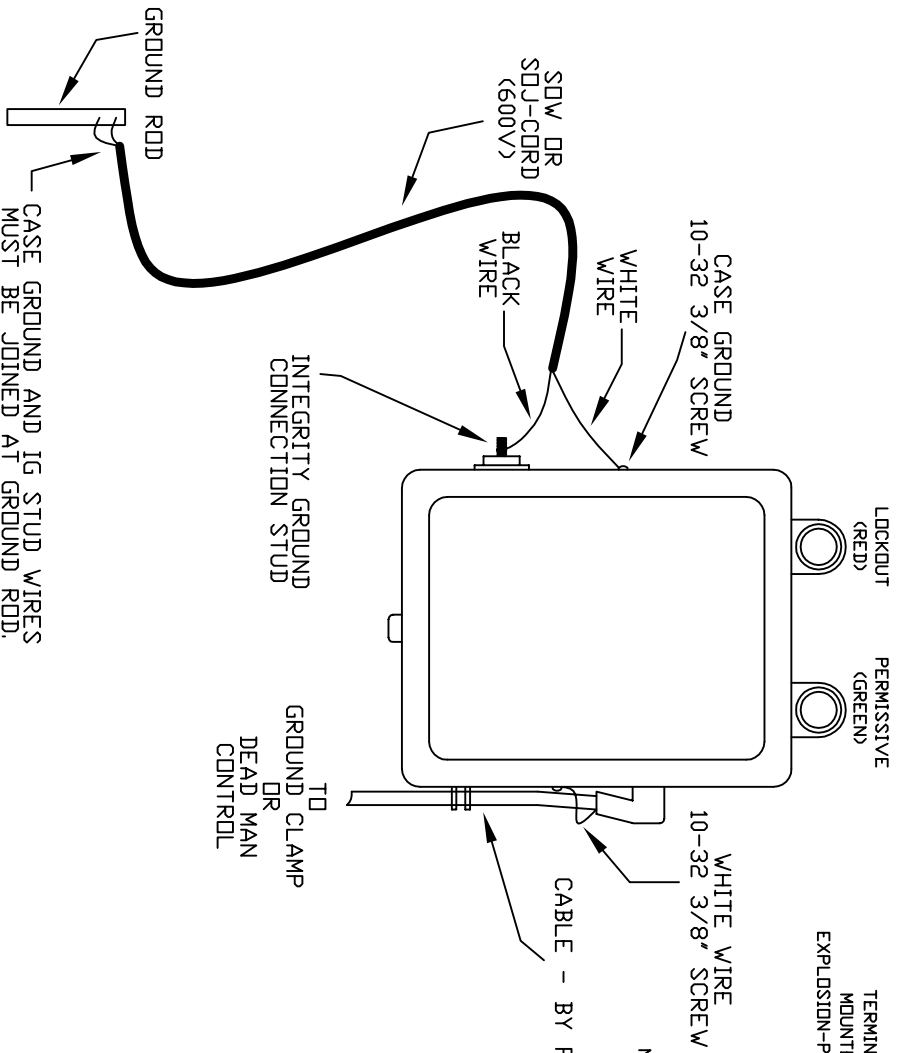
**ELECTRONIC INDICATING GROUND ASSEMBLY  
 AND DEAD MAN CONTROL UNIT**

**CONNECTION DIAGRAM**



NOTE: N.O. NORMALLY OPEN CONTACT THAT CLOSSES WHEN GROUND IS ESTABLISHED.  
 N.C. NORMALLY CLOSED CONTACT THAT OPENS WHEN GROUND IS ESTABLISHED.

NOTE: BY FACTORY (600V)



**Integrity Ground (IG) Hookup:**  
 Use a piece of SDW or SJD 600V cord to reach from the G2-25-IG to the ground rod or grid.  
 At the box, connect the white wire to the 10-32 screw on the left side of the box.  
 Connect the black wire to the ground stud on the left side of the box.  
 Cut off the green (ground) wire. It will not be used.  
 At the other end of the SDW or SJD 600V cord connect both the black and white wires to a ground rod or grid.  
 If any of these connections fail, (either at the box or the ground rod), the unit will indicate red and not go to green until the problem is corrected.

**CAUTION: ANY SUBSTITUTION OF COMPONENTS MAY IMPAIR INTRINSIC SAFETY OF DEVICE**

REV./DESCRIPTION: B REVISED CONTACTS CONFIG FOR TERM# 7-10		DATE 1/20/06	APVD. RD
WIRING DIAGRAM			
STS300 G2-24VDC-25IG			
DRTM. AD	ENGR. RD	DWG. NO. STS 8807	SHEET# 1 OF 1
DATE 2/23/05			